



## C TOURNAMENT SYSTEMS

C/8

### EUROPEAN CHAMPIONSHIP 5-PINS INDIVIDUAL

#### Art. 1. PARTICIPANTS

48 inscribed sportsmen + 16 placed sportsmen.

#### Art. 2. INSCRIPTION and PARTICIPATION of the SPORTSMEN

Consideration of registration is:

1. The 16 placed sportsmen are:
  - a. The EC title holder
  - b. One wild card from the organizer
  - c. 14 sportsmen from sports federations ranked by their national teams ranking
2. The 48 inscribed sportsmen as follows:
  - a. According to the national team ranking, the sportsman first registered of each federation, if not already among the placed sportsmen. Then the sportsman listed in second place of each federation according to the results of the last EC 5P, and so on.
  - b. Then the sportsmen entered freely according to their date of registration.

#### Art. 3. PLAYING SYSTEM

- a) The games will be played in sets.
- b) PRELIMINARY ROUND: It is played on two winning sets (best of 3)
- c) FINAL ROUND: it is played on three winning sets (best of 5)
- c) The distance of a set is 60 points.
- d) Before the start of the game it is decided by cushion drawing which sportsman will begin. The winner of the cushion draw decides on who shall start the first set. He will also begin the sets 3 and possibly 5. The opponent will be starting sets 2 and possibly 4. Whoever starts the set 1 will always start with the ball completely white and will keep on playing with this ball throughout the entire game.

#### Art. 4. GROUP GAMES in the PRELIMINARY ROUND

The 48 registered sportsmen will be placed in 16 groups of 3 sportsmen by drawing, while sportsmen of the same nationality will be placed in different groups. In the case where several sportsmen of the same nationality are in the same group, they will meet first.

The first from each group qualifies for the final round.

The ranking of the 32 outgoing sportsmen will be made by the following criteria.

#### RANKING AFTER THE GROUP GAME

Places	from 17 to 32	the second of each group
Places	from 33 to 48	the third of each group

#### CRITERIA FOR CLASSIFICATION OF SPORTSMEN

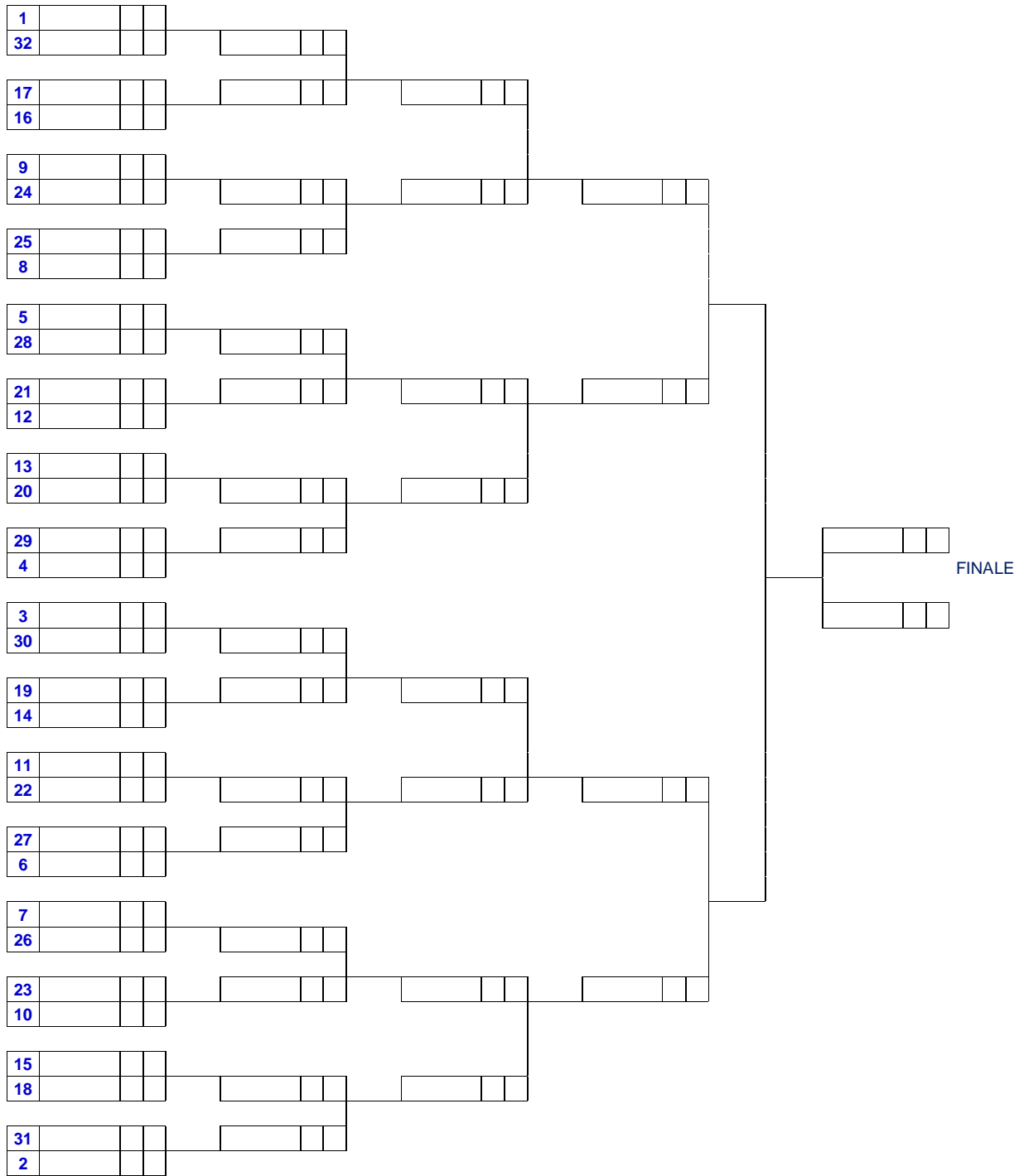
- a) Points of matches (Parties)
- b) If for points of games there is a tie between two sportsmen, the direct encounter will decide. If more than two athletes are tied, the last shall be determined by the following criteria:
  - 1) Points of sets (greater difference between sets won and sets lost)
  - 2) Better overall average of the sportsmen involved (3 positions after the decimal point rounding down). The first of the remaining will be determined by the direct encounter.

**Art. 5. FINAL ROUND**

The sportsmen of the final round will be:

1. The 16 placed sportsmen
2. The 16 ranked sportsmen from the groups

The final round will be played by KO system according to the following scheme:



The 32 sportsmen will be allocated as follows:

1. The Title Holder in position 1
2. The Wild Card in position 2
3. The remaining 14 “placed sportsmen” will be drawn in positions 3 to 16 keeping in mind that “placed sportsmen of the same nationality” should not meet each other before semi-finals.
4. The 16 sportsmen qualified from preliminary round will then be drawn without any restriction.